



“The Source for Power”



AN/PRC-152 Falcon III DC ADAPTER

With 30" Straight Cable

NSN: 5965-01-578-3197

EFB P/N 1-10080-00

Adapter Description

EFB's Falcon III DC Adapter allows the operator to replace the existing battery on an AN/PRC-152. The Falcon III DC Adapter used in conjunction with the BA-8140/U will provide approximately 160hrs of continuous use. This Adapter is packaged with the EFB P/N 501377-HM "XX90 Battery Adapter Cable."

Compatible with the following batteries

BA-8180/U, BA-8140/U, ZA-8125, ZA-8150, BA-5590/U, BA-5390/U, BB-2590/U, BB-390/U, BB-590/U

DC Input

12 V DC Nominal

DC Output

12.6 V DC Max

Operational Temperature

-20°C and 60°C (-4°F and 140°F)

Dimensions

67 mm x 88 mm x 38 mm (3.4" x 2.6" x 1.5")

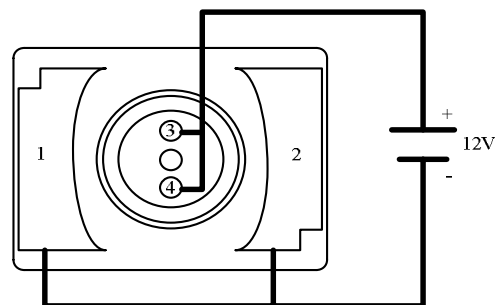
Weight

0.38 kg (0.85 lb)

Environmental

- Humidity 95%
- Altitude 50,000 ft
- IP67

BA-8180/U, BA-8140/U, OR XX90 SIDE	DEVICE SIDE
6,7	1,2
1,2	3,4



WHEN CONNECTED TO BA-8180/U, 8140/U, OR XX90